



The complete Tank Solution
that connects easily & quickly

2300L T²

RAINWATER TANK



egrwater.com.au

T²



The EGR T² combines the tank and pump into one product. The T² neatly hides the pump behind a specially designed discretion panel. This makes the T² a “doubly terrific” tank!”

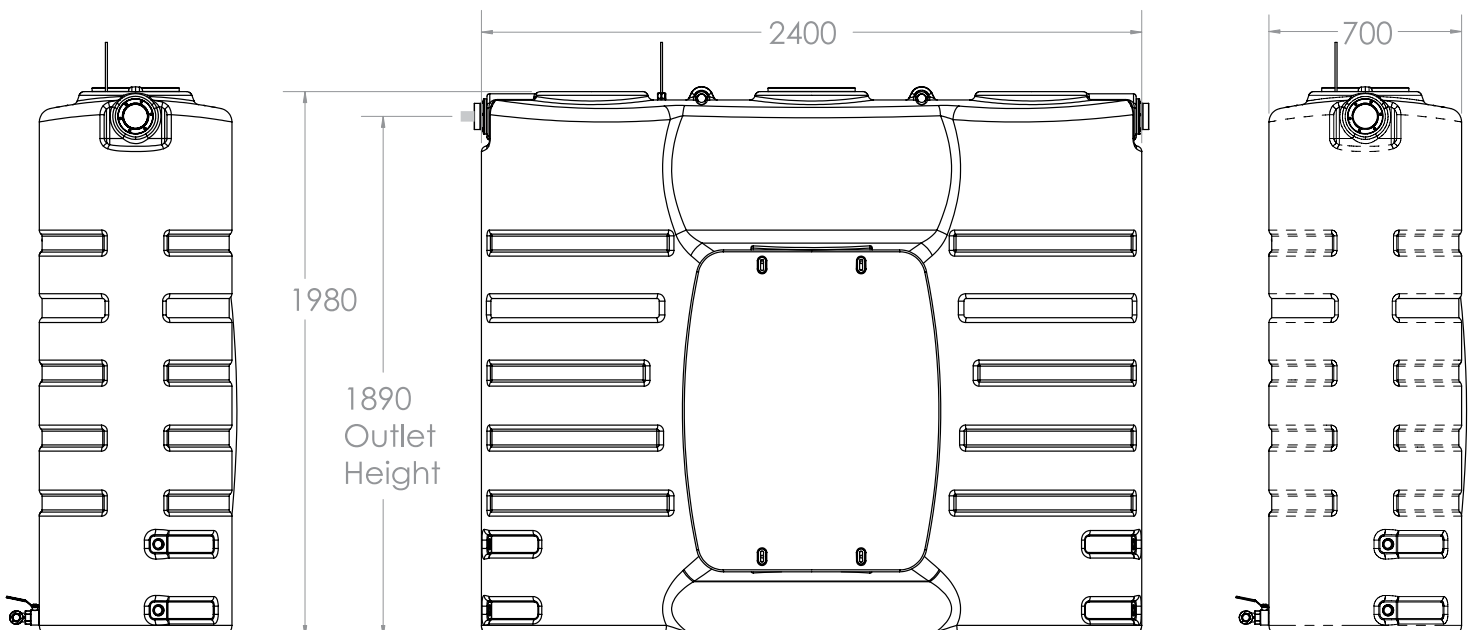
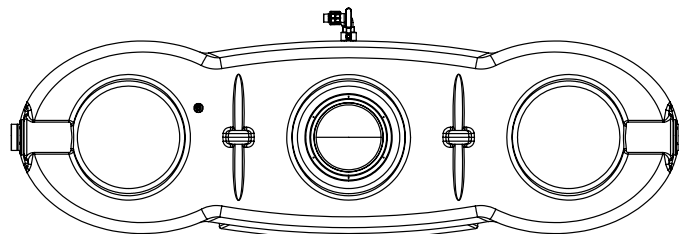
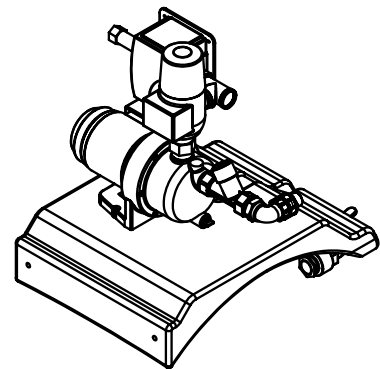
Features & Benefits

The EGR T² system provides automatic switching between rainwater and mains water depending on availability.

- Quality Leader Branded Pump
- Available in a wide range of colours
- Installation by licensed plumbers only
- All components are water mark approved
- Water tank fully complies with AS/NZ4766:2006 requirements
- Manufactured in Australia with the assurance of a 10 year warranty on Tank and 12 Months on Pump, Mains Switch and Fittings
- Automatic changeover between tank and mains water for guaranteed constant supply of water
- No unsightly switching gear visible on the top of the tank
- In the event of power failure water is supplied via mains supply until the power supply is resumed
- Made from UV stabilised, heavy metal free and recyclable food grade polyethylene
- Factory fitted check valves prevent contamination of the mains water connection. The system does not allow mains water & rainwater to mix, rather the supply is switched. This maximises potable water savings
- The EGR T² system is a complete solution. It includes all necessary components to connect easily and quickly to pre-plumbed installations
- Size & styling blends with all EGR Slimline Tanks making further expansion of water storage capabilities easy

Equipment List & Specifications

- Rotationally moulded water tank (2300 Litres)
- Leader Ecowater pump and pressure system
- Aquamatic mains switching device
- Operation and Installation manual
- Centralised inlet strainer
- 90mm Overflow / Inlets at both ends of the tank
- Front and rear cover for weather protection of the pump and switching gear
- 4 x 1" BSP Outlets for hose connection, bucket fittings or modular tank connection
- 1 x 1" Ball valve for isolation of pump and switching gear
- 2 x 1/2" BSP Easy Hook-up flexible pipes
- Power: 40Volt - (10Amp)
- Pipe Connections: 1/2" BSP
- Maximum Water Delivery: 40L/Minute
- Maximum Head: 38m
- Maximum Suction Lift: 3m
- Total Weight: 140kg
- Width: 700mm
- Length: 2400mm
- Height: 1980mm



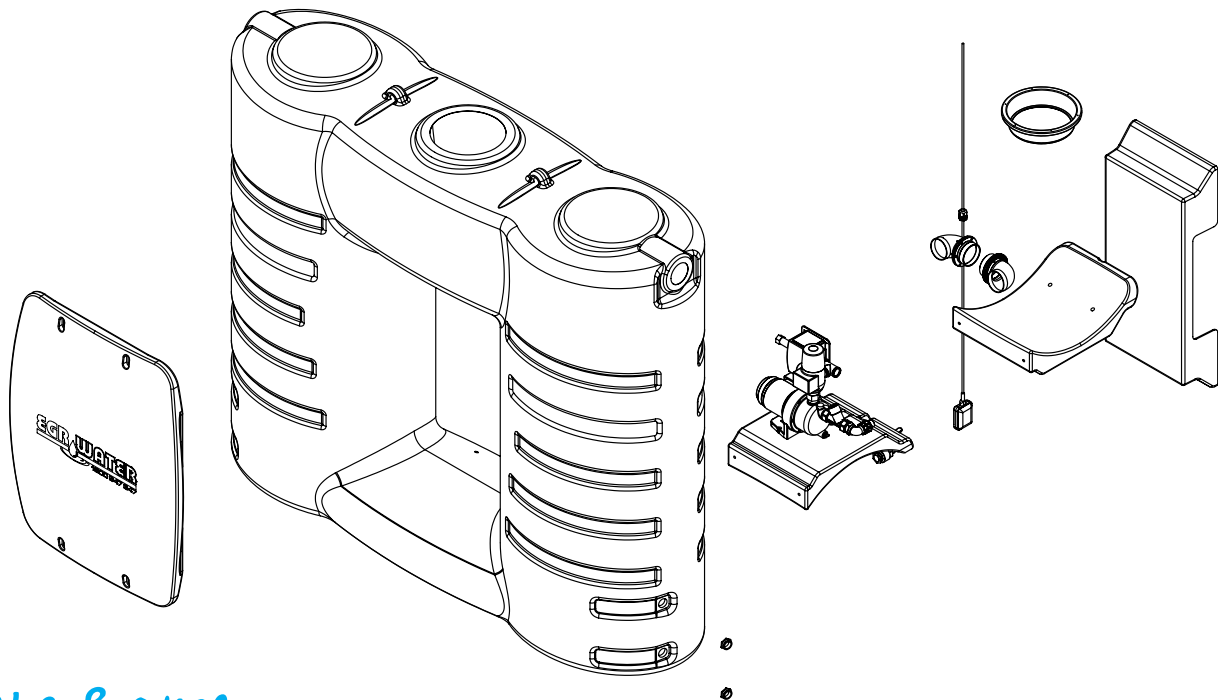
EGR Warranty Conditions

Your EGR water tank is guaranteed against any manufacturing defects for 10 years from the date of manufacture and the Pump and switching hardware for 12 months.

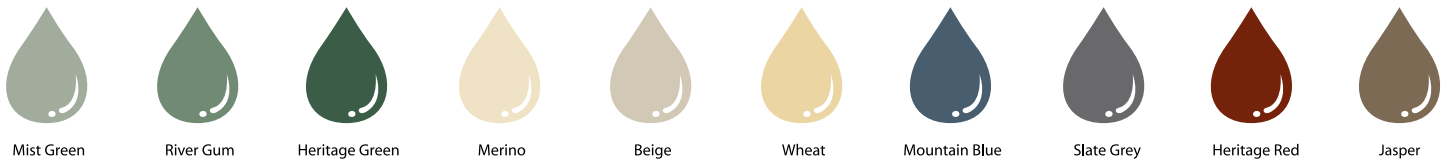
This warranty is only valid at the time of the original purchase, it is not transferable. The original purchaser should establish the original purchase date via the sales slip, sales receipt or other evidence. Damaged or lost receipts or sales slips are not valid and will not be honoured.

Damage to the tank caused by accident, misuse, do-it-yourself repairs and/or faulty installation is not covered by this warranty. A suitably qualified trades person must install any EGR tank to prevent voiding of this warranty.

All other claims of any nature are not covered. This warranty is only valid to tanks purchased and installed in Australia in accordance with stated Government and Council regulations and by-laws.



Colour Range



Proudly Distributed By:

Due to the nature of the printing process, the colours depicted above may vary compared to the actual product's colour. Printed colours are to be used as a guide only.

Oakmoore Pty Ltd
ABN: 13 056 159 570

EGR WATER

1800 347 347